

POS-NR POS-NO	ART-NR ART-NO	ANTAL/QUANTITY MENGE/QUANTITE	POS-NR POS-NO	ART-NR ART-NO	ANTAL/QUANTITY MENGE/QUANTITE
STEP 1 14200010	14100010	4	STEP 3 14200010	14100010	2
	14100015	4		14100015	2
	14160058	1		14160059	1
	14160074	1		14160068	1
	14160056	1			
	14160059	1			
142651	14165110	1	142643	14100001	2
	14165111	1		14100005	1
	14165112	2		14164310	1
142676	14167610	1	142692	14100005	2
STEP 2 142671	14167110	1	14168210	1	
			14169210	1	
142661	14100005	2	14169211	1	
	14110016	1	14169212	1	
	14166110	1			
142662	14100005	2	144731	14173110	1
	14110016	1	STEP 4 142751		
	14166210	1	14175110	1	
			14175111	1	
142675	14167013	1	14175112	2	
	14167015	6	145001	4	
	14167510	1	145001	4	
			41078513	1	
	610071-02	4	41078514	2	
		41078515	1		
			142645	610072-03	1
				14164510	1
				14164511	1
				14167015	1
				1445089	



50h



Varje vecka
Every week
Jede woche
Chaque semaine



Varje säsong
Every season
Jedes Jahr
Chaque saison



5-12

HAGS

ANEBY, SWEDEN
+46(0)380-47300
www.hags.com

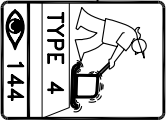
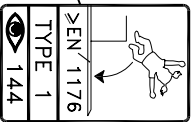
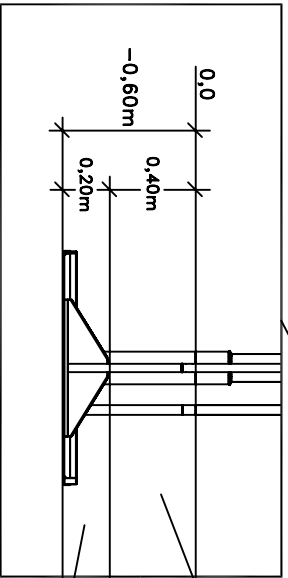
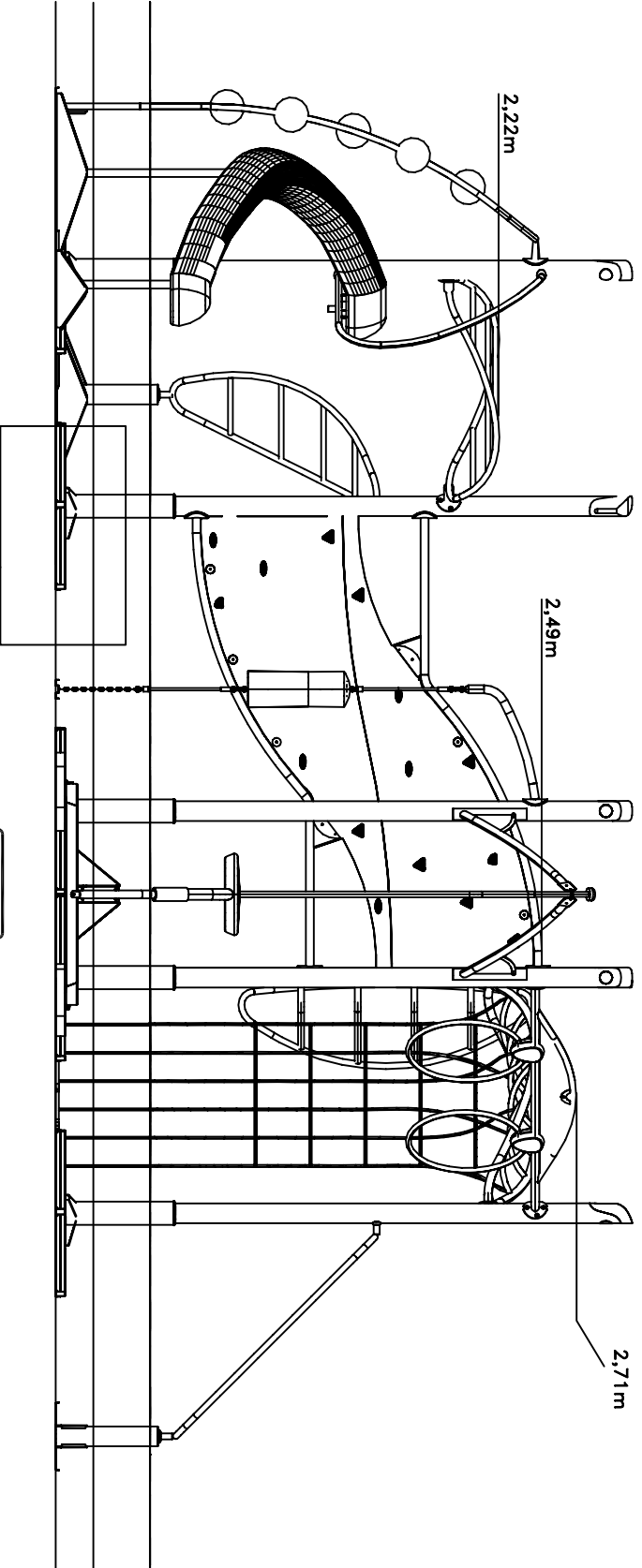
Blond
144508
I(V)

AK

JS

2007-08-08

2



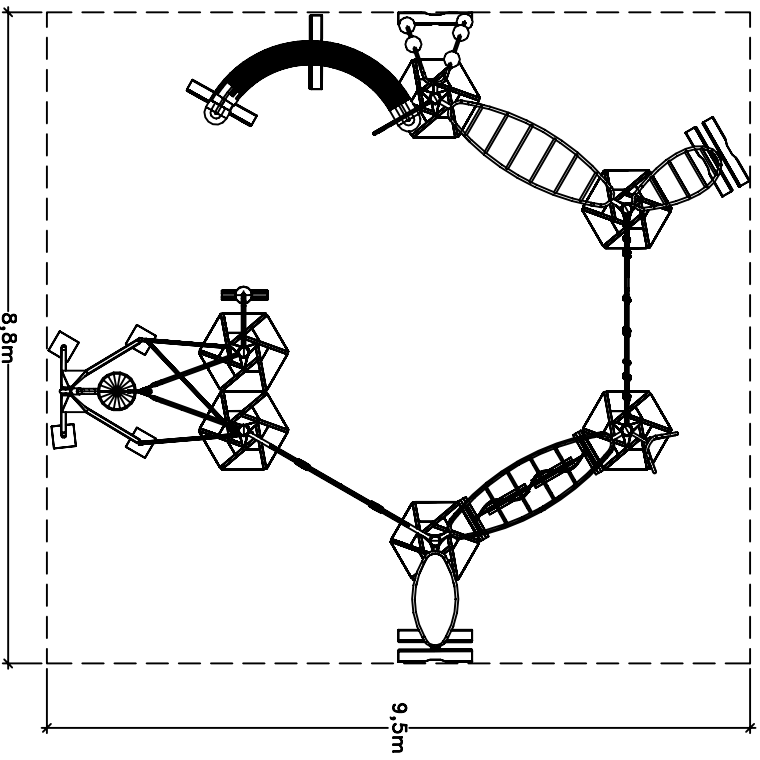
HAGS

ANEBY, SWEDEN
+46(0)380-47300
www.hags.com

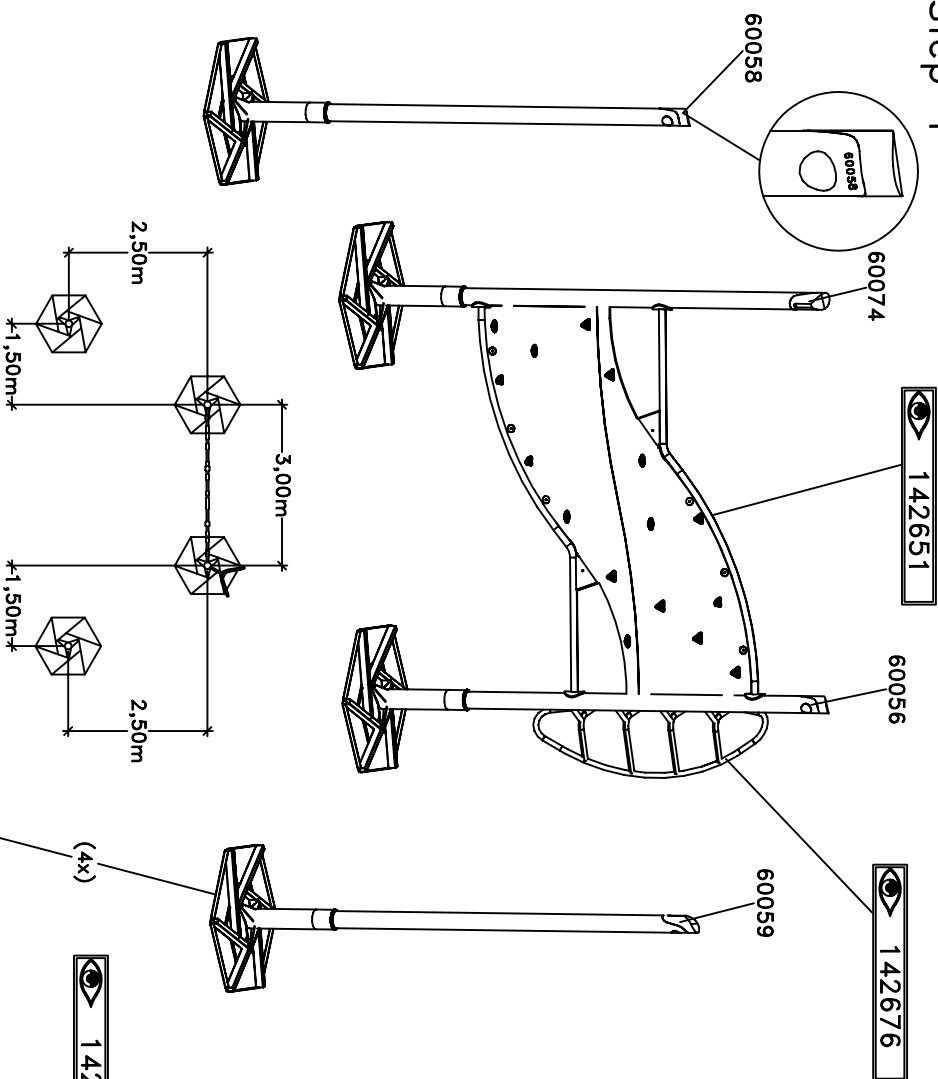
Blond
1 444 508
II (V)

AK JS

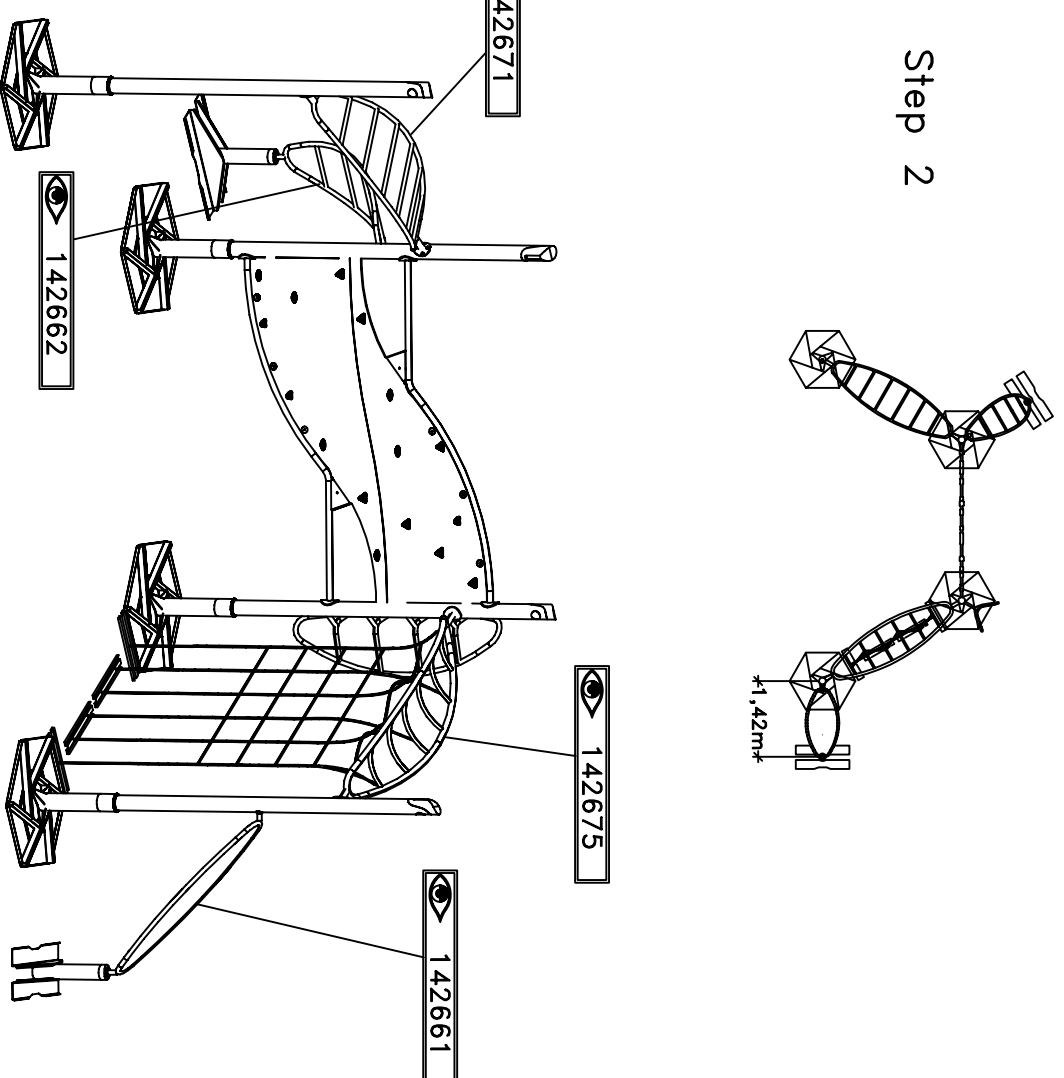
This block contains the manufacturer's name (HAGS), contact information (ANEBY, SWEDEN, phone number, website), product name (Blond), model number (1 444 508), and safety classification (II (V)). It also includes the manufacturer's logo and the letters AK and JS.



Step 1

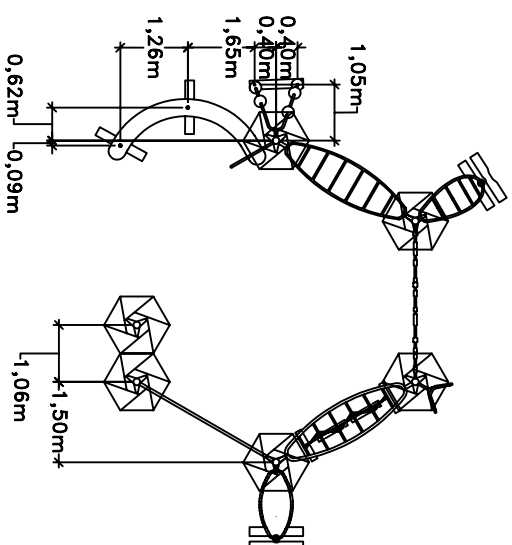
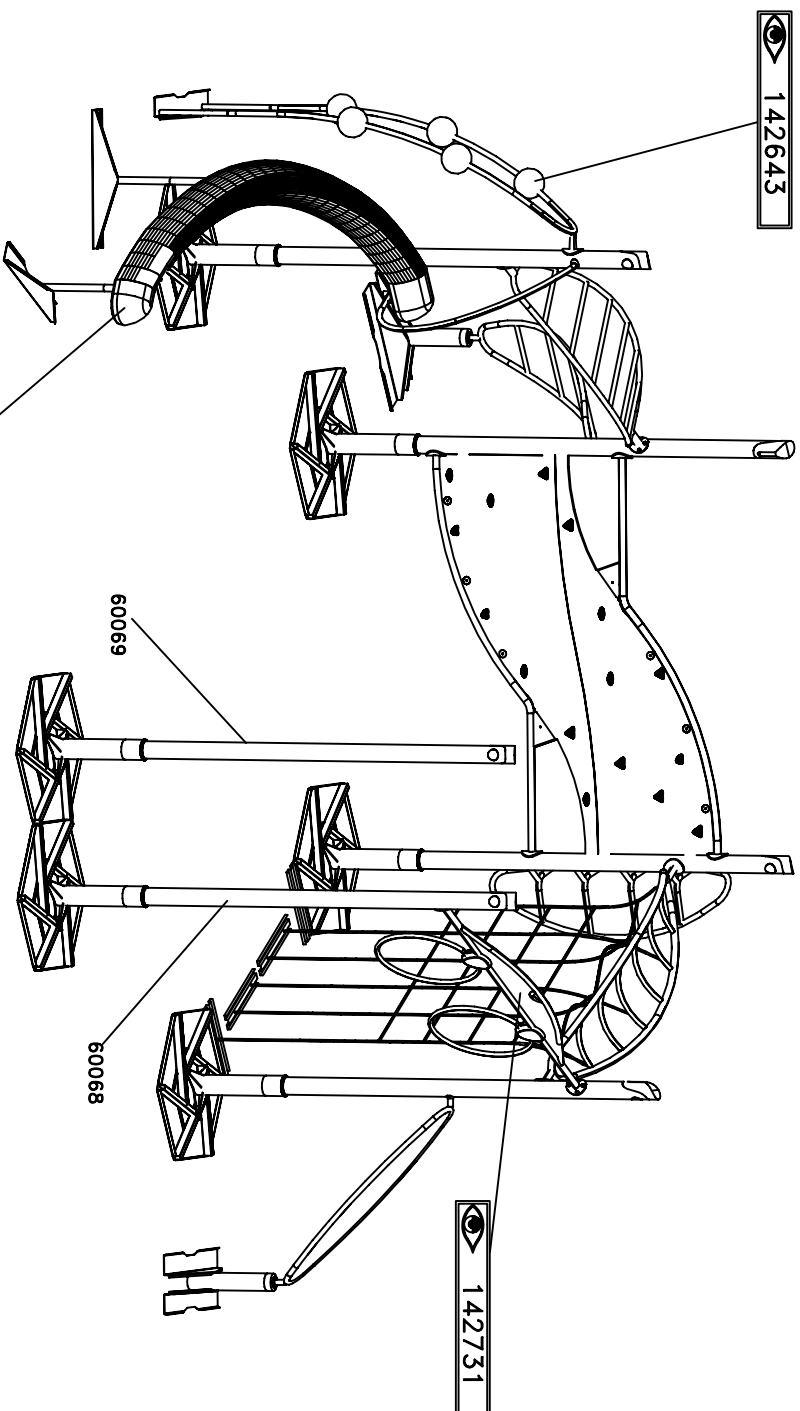


Step 2

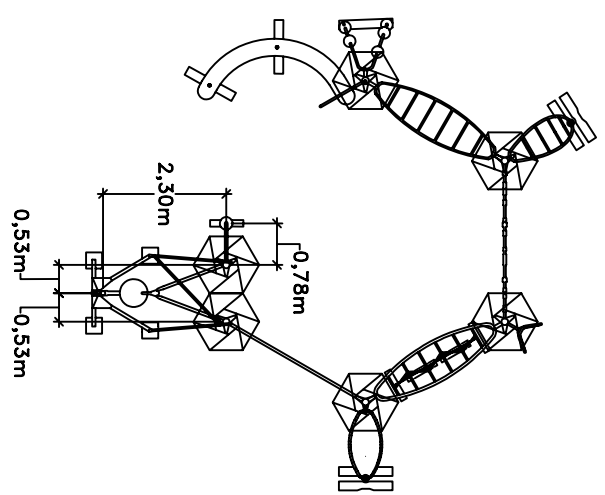
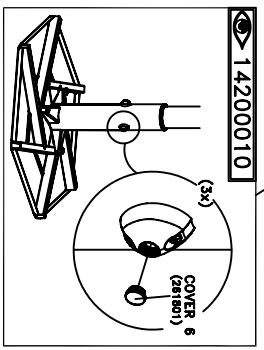
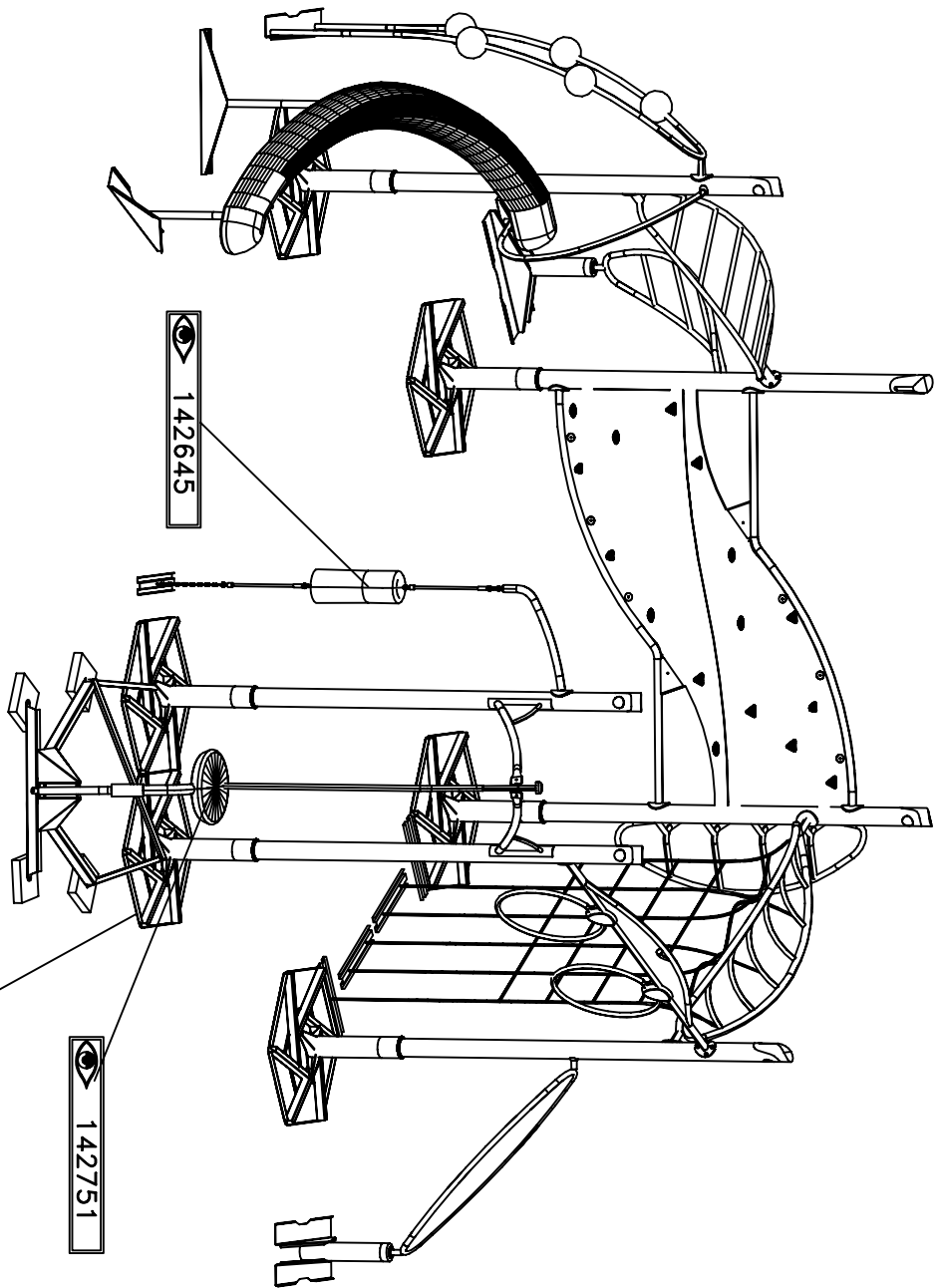


HAGS		ANEBY, SWEDEN	
Blond		+46(0)380-47300	
144508		www.hags.com	
III(V)			
AK	JS		

Step 3



HAGS		ANERY, SWEDEN	
Blond		+46(0)380-47300	
144508		www.hags.com	
IV(V)			
	AK		JS



HAGS

ANEBY, SWEDEN
+46(0)380-47300
www.hags.com

Blond
1 444 508
V(V)

AK JS

STEP 5

1 Måndag
1 Month
1 Monat
1 Mois